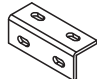

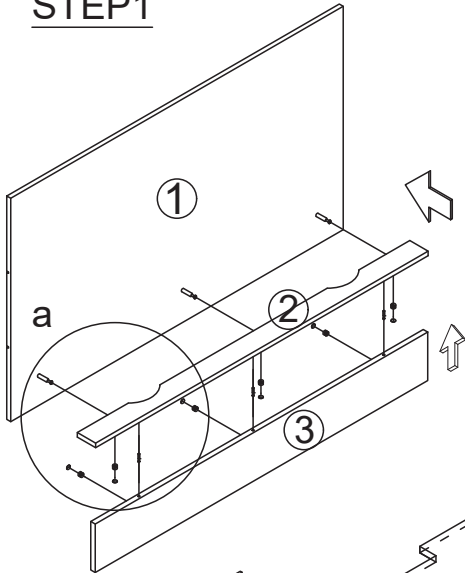


# Assembly Instructions

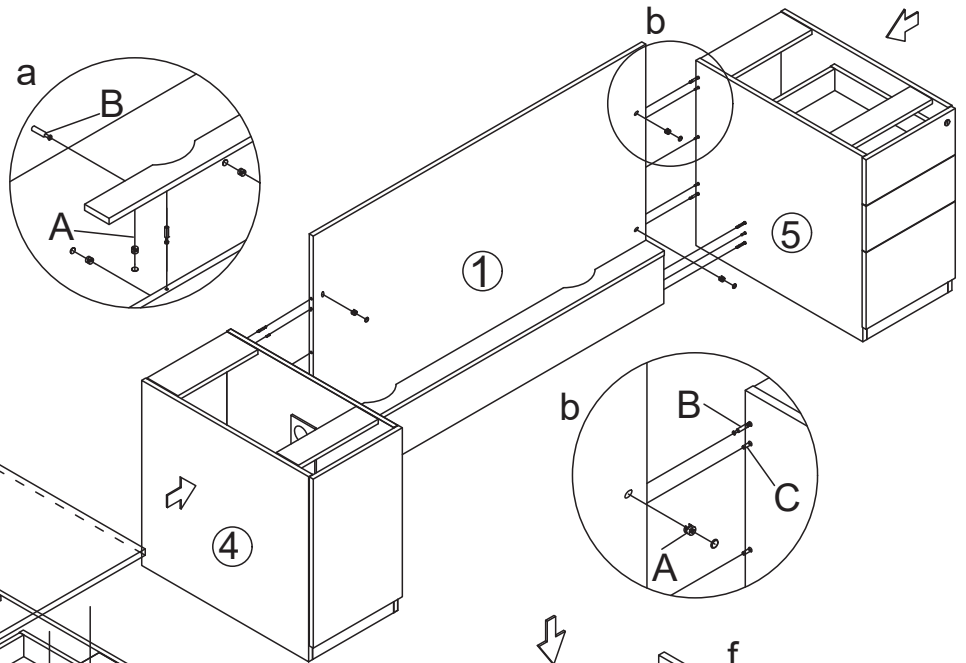
## MODEL NO.: RC3 RECEPTION DESK

<b>A</b>  54Set	<b>B</b>  54Pcs	<b>C</b>  44Pcs	<b>D</b>  2Pcs	<b>E</b>  Ø80 2Pcs	<b>F</b>  Ø4*30 18Pcs	<b>G</b>  Ø6*12 10Pcs	<b>H</b>  6 Set	<b>I</b>  Ø6*35 6Pcs
---	--	--	---	--	--	---	--	--

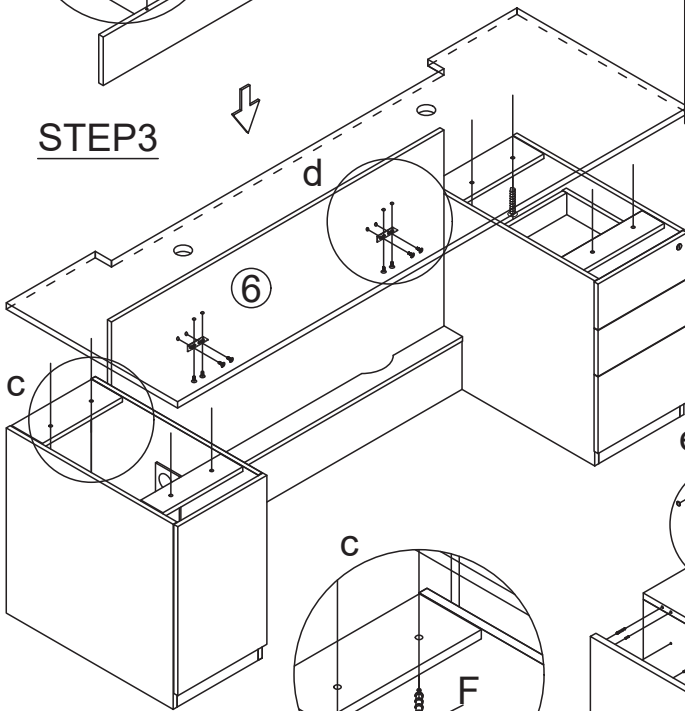
### STEP1



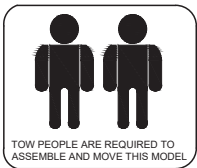
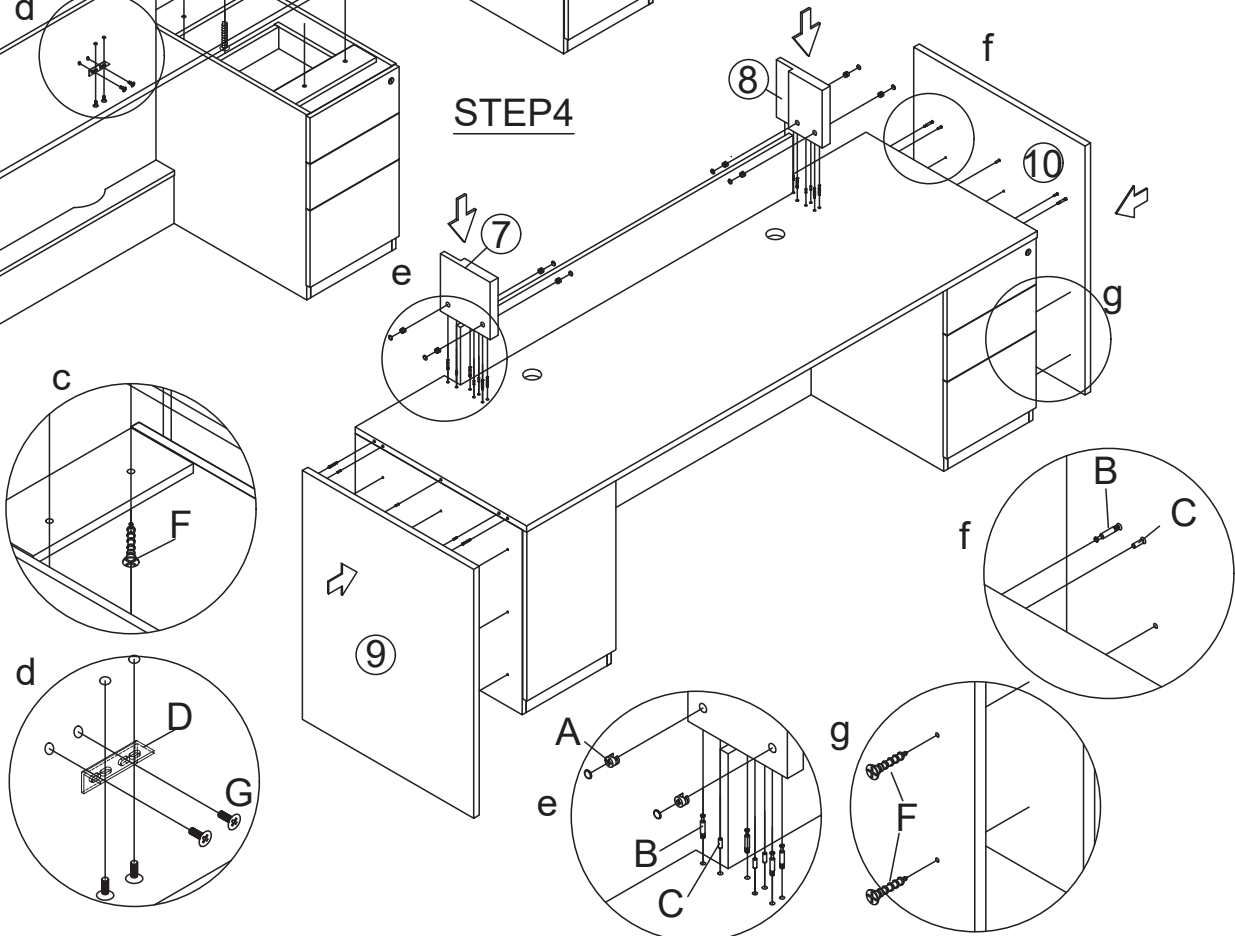
### STEP2



### STEP3



### STEP4



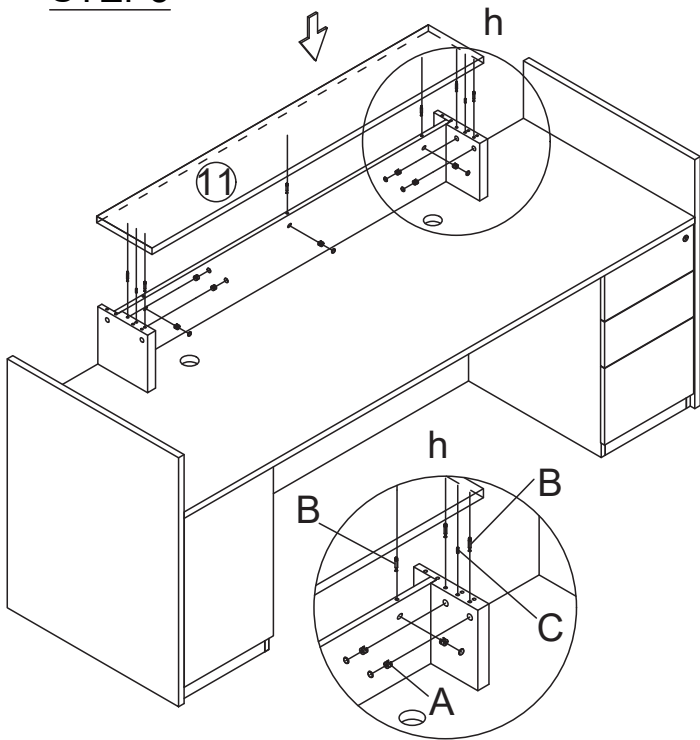
### IMPORTANT NOTE:

- Place all parts on a clean and smooth surface such as a rug or carpet to avoid the parts from being scratched.
- Check to be sure that you have all parts and hardware.
- Remove all wrapping materials, including staples & packing straps before you start to assemble.
- Don't tighten all screws/bolts until all completely assembled.
- Keep all hardware parts out of reach of children

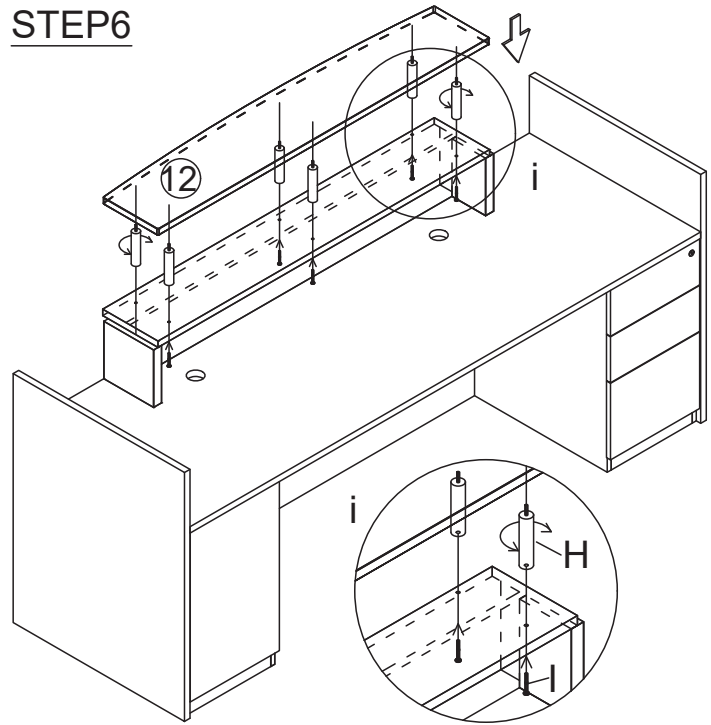
# Assembly Instructions

## MODEL NO.: RC3 RECEPTION DESK

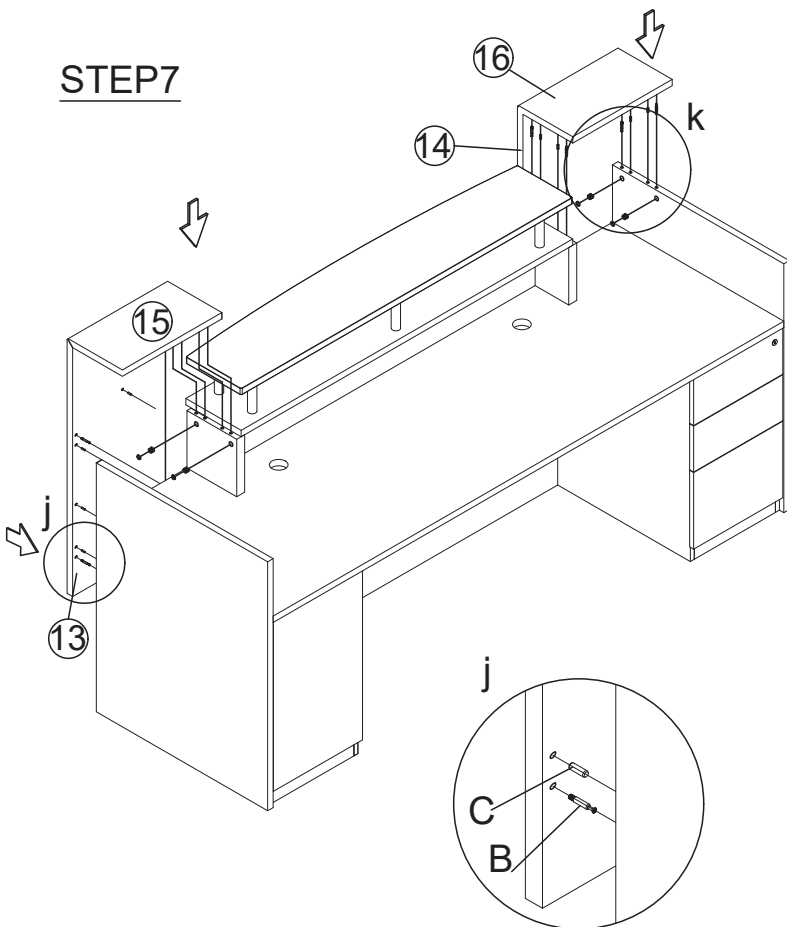
### STEP5



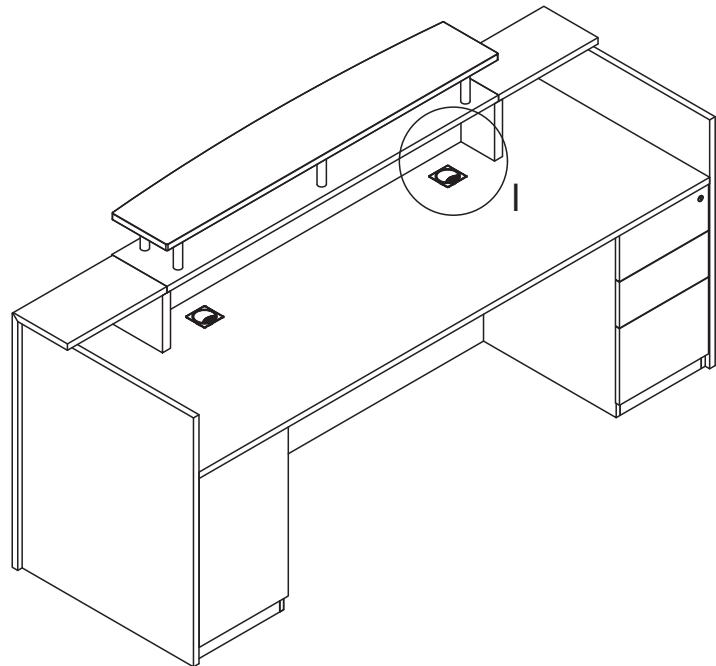
### STEP6



### STEP7



### COMPLETED ASSEMBLY



#### IMPORTANT NOTE:

- Place all parts on a clean and smooth surface such as a rug or carpet to avoid the parts from being scratched.
- Check to be sure that you have all parts and hardware.
- Remove all wrapping materials, including staples & packing straps before you start to assemble.
- Don't tighten all screws/bolts until all completely assembled.
- Keep all hardware parts out of reach of children