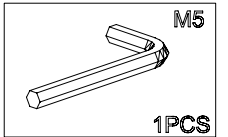
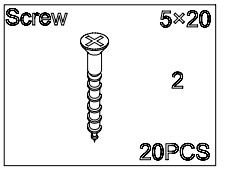
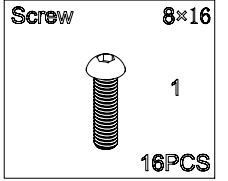
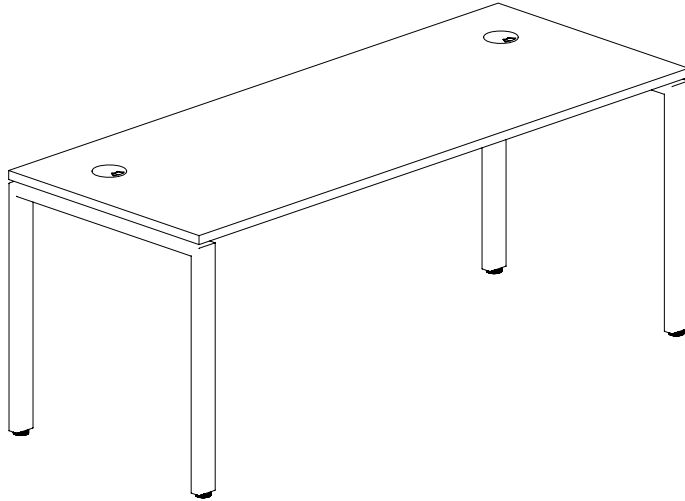
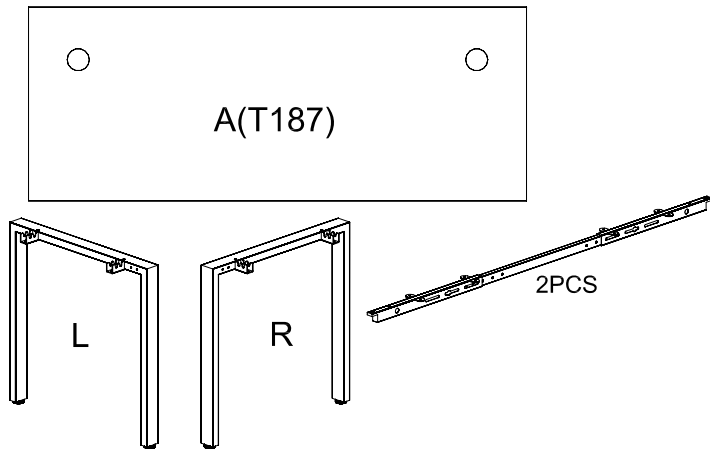


Assembly Instructions

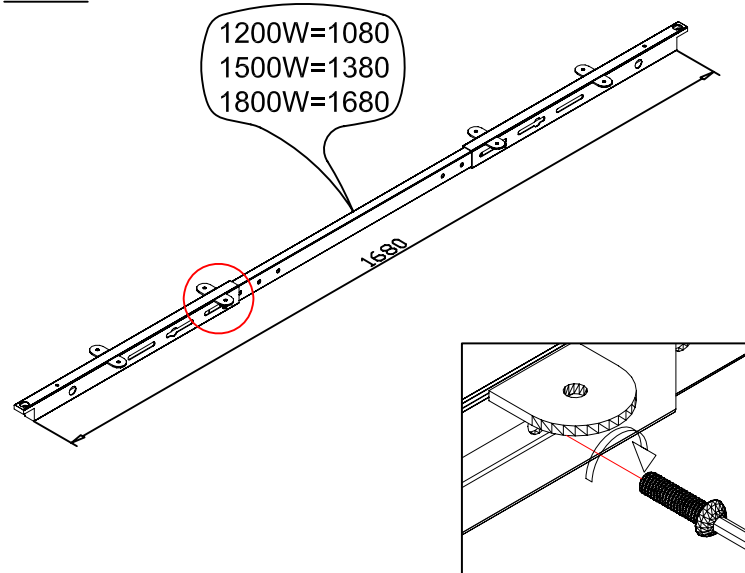
MODEL NO: Profile Leg Assembly Instructions



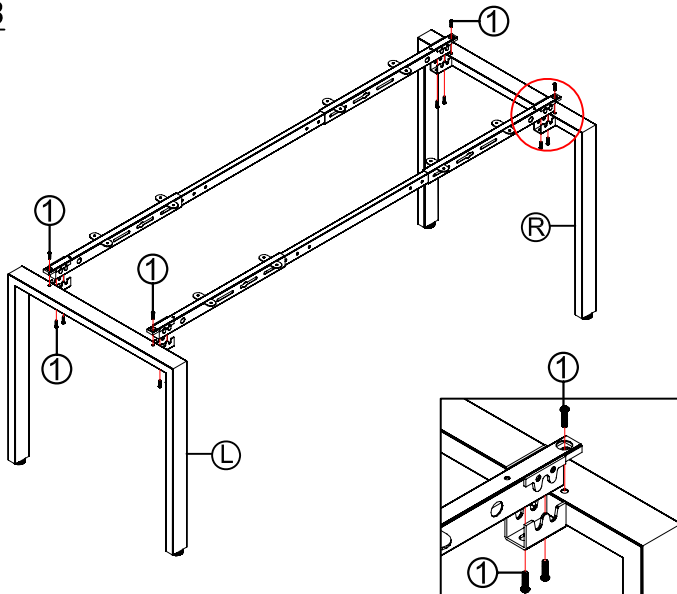
STEP1



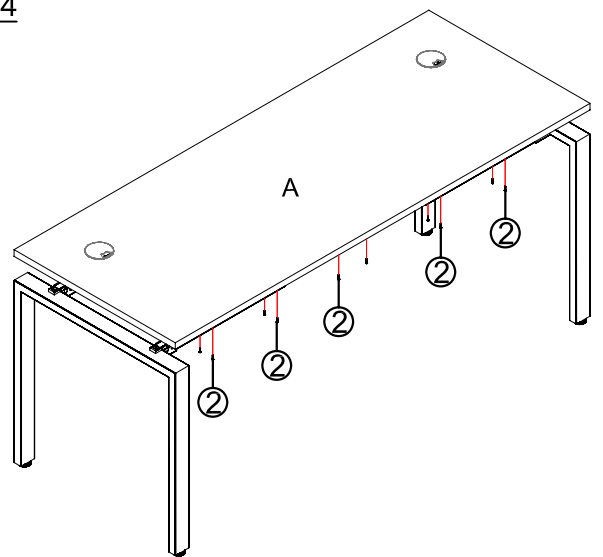
STEP2



STEP3

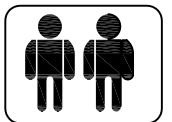


STEP4



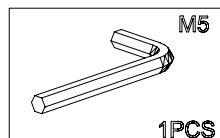
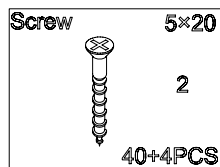
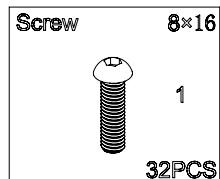
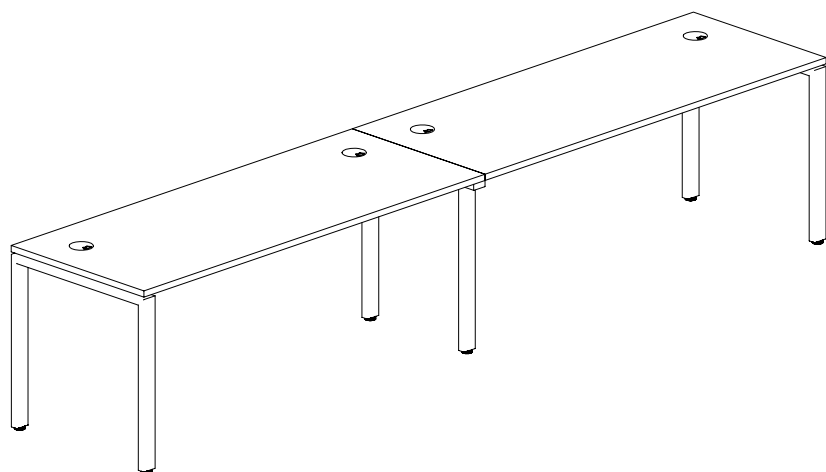
IMPORTANT NOTE:

- Place all laminated parts on a clean and smooth surface such as a rug or carpet to avoid the parts from being scratched.
- Check to be sure that you have all parts and hardware.
- Remove all wrapping materials, including staples & packing straps before you start to assemble.
- Don't tighten all screws/bolts until all completely assembled.
- Keep all hardware parts out of reach of children

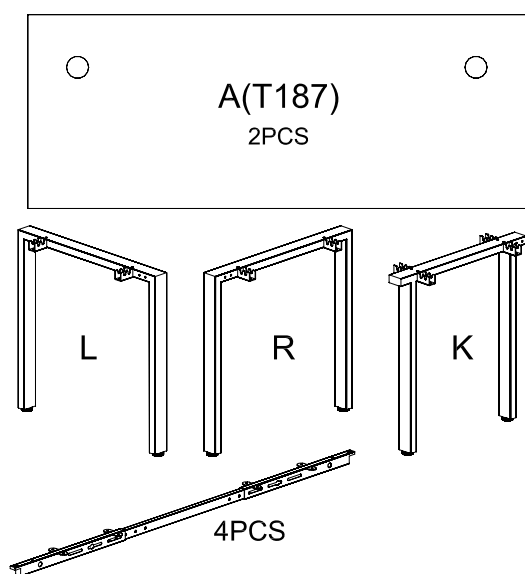


Assembly Instructions

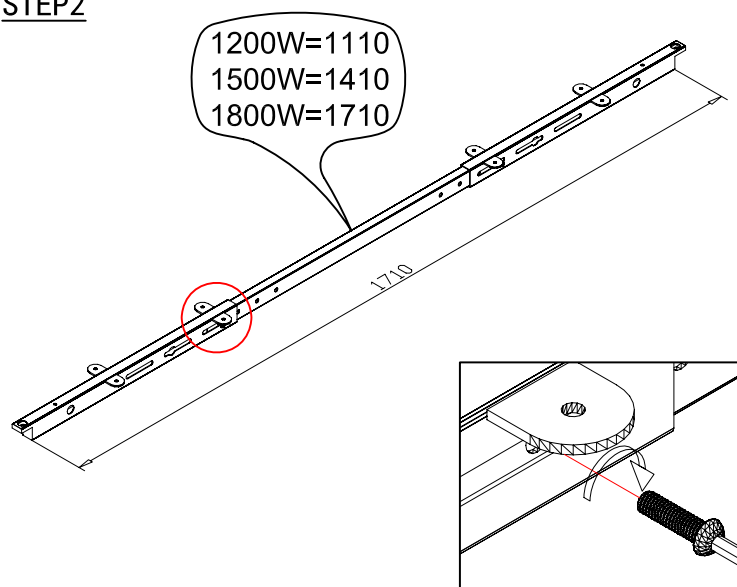
MODEL NO: Profile Leg Assembly Instructions



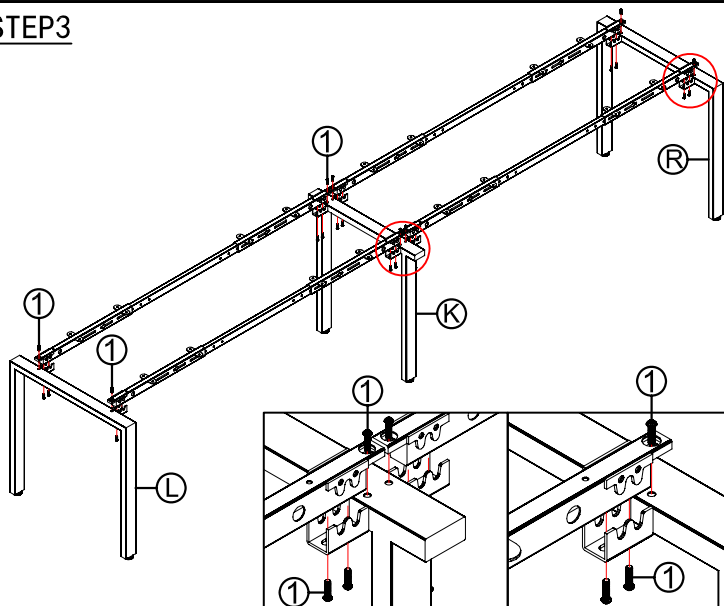
STEP1



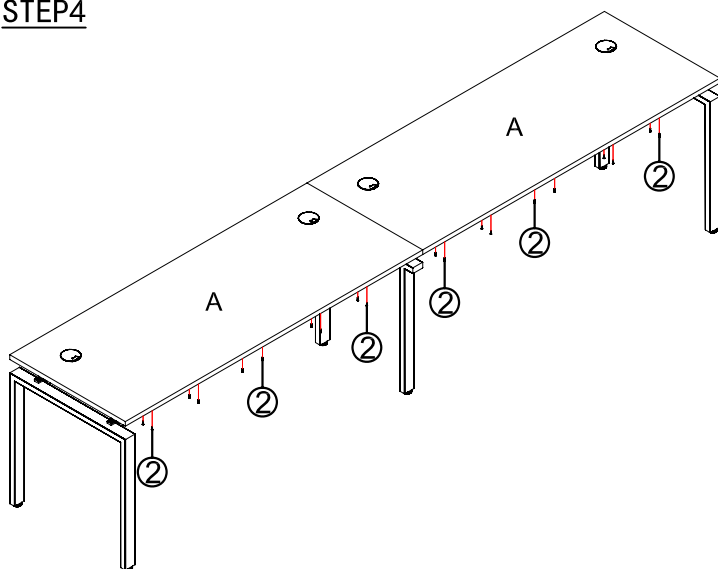
STEP2



STEP3

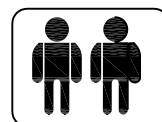


STEP4



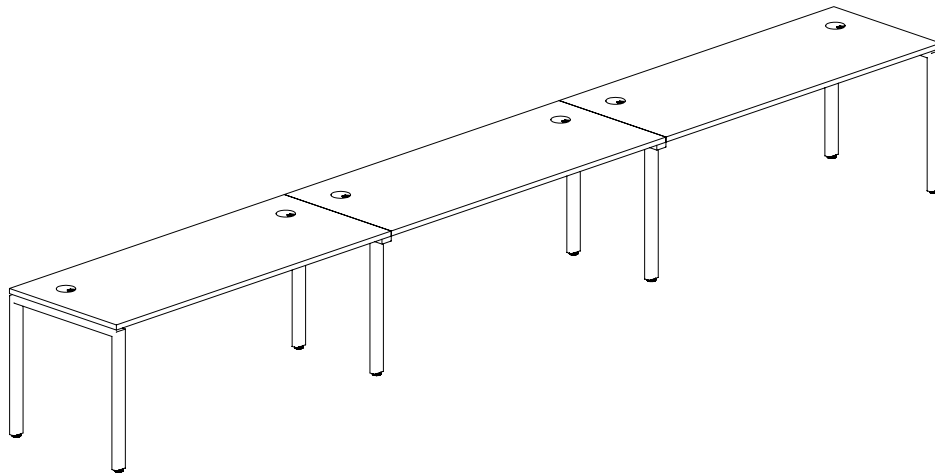
IMPORTANT NOTE:

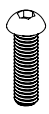
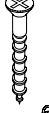
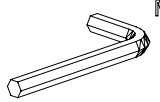
- Place all laminated parts on a clean and smooth surface such as a rug or carpet to avoid the parts from being scratched.
- Check to be sure that you have all parts and hardware.
- Remove all wrapping materials, including staples & packing straps before you start to assemble.
- Don't tighten all screws/bolts until all completely assembled.
- Keep all hardware parts out of reach of children



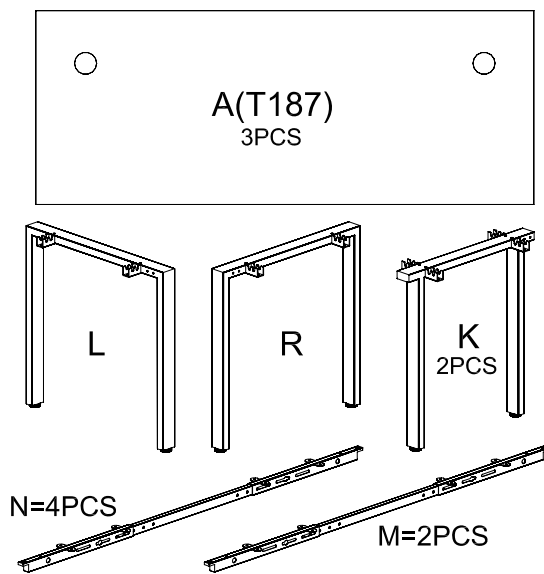
Assembly Instructions

MODEL NO: Profile Leg Assembly Instructions

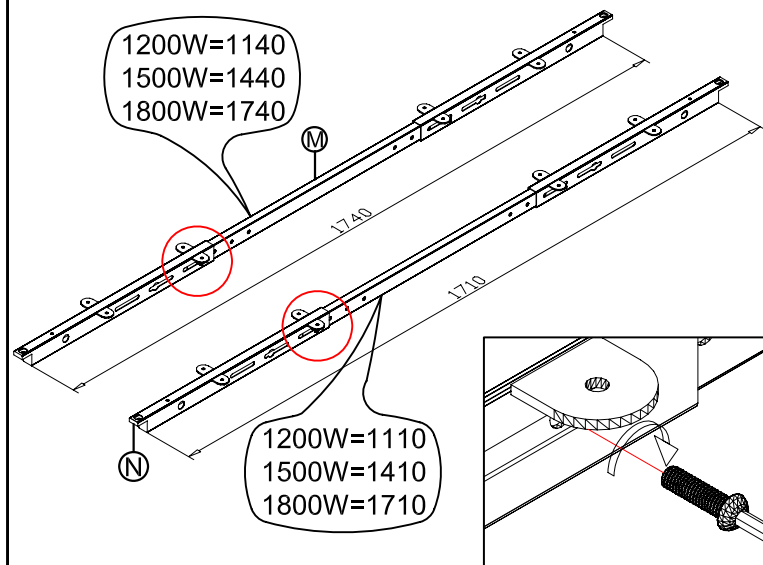


Screw	8×16
	1
	48PCS
Screw	5×20
	2
	60+4PCS
	M5
	1PCS

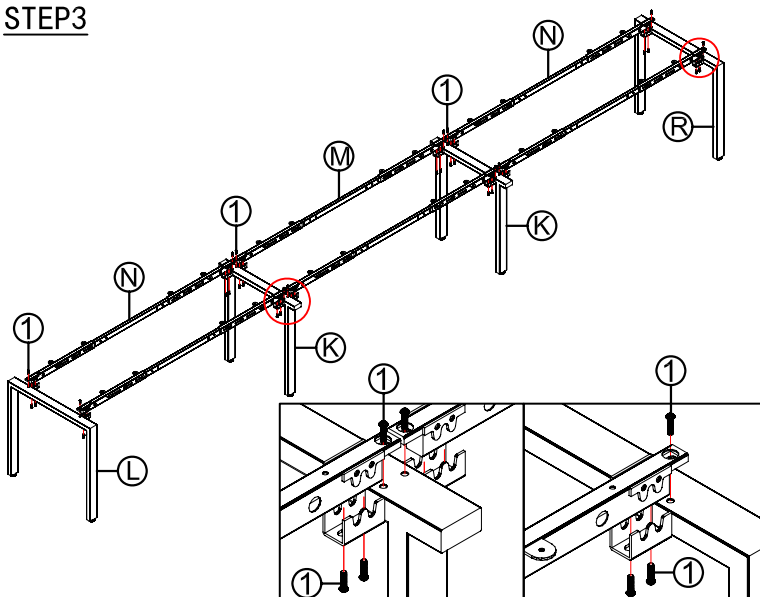
STEP1



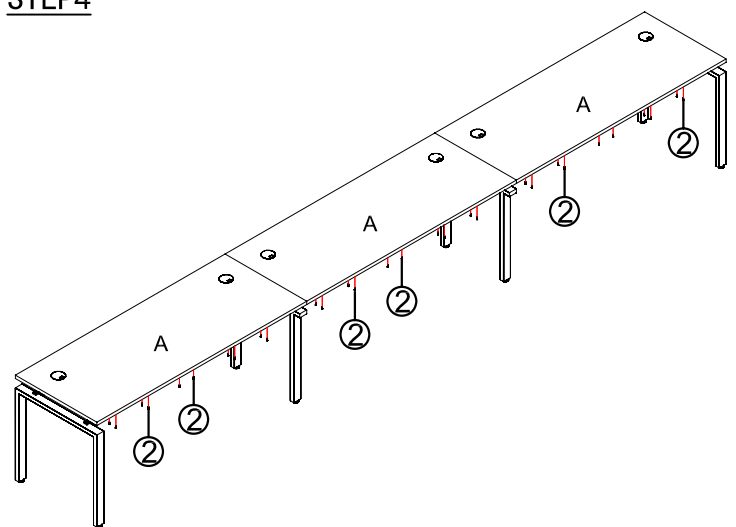
STEP2



STEP3



STEP4



IMPORTANT NOTE:

- Place all laminated parts on a clean and smooth surface such as a rug or carpet to avoid the parts from being scratched.
- Check to be sure that you have all parts and hardware.
- Remove all wrapping materials, including staples & packing straps before you start to assemble.
- Don't tighten all screws/bolts until all completely assembled.
- Keep all hardware parts out of reach of children

