

EATON WORKSTATION

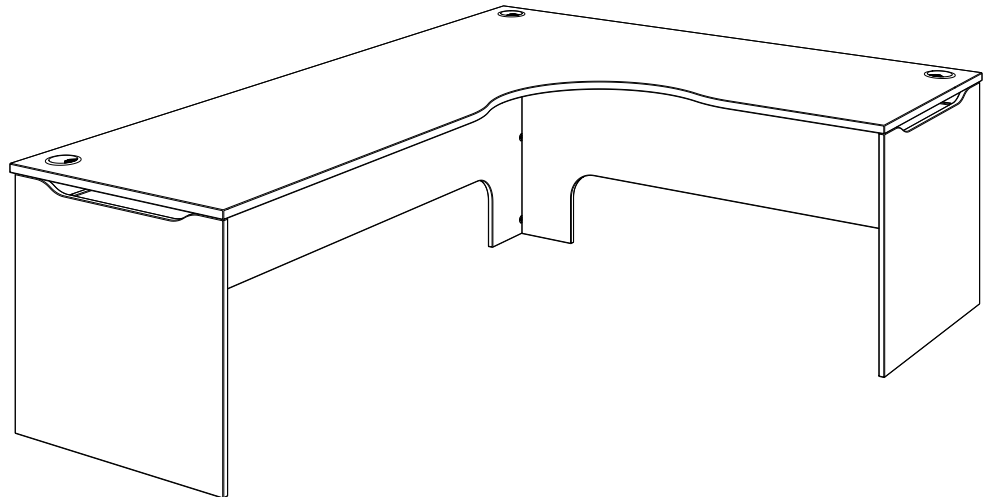
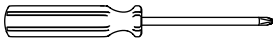
2400x1800

BEFORE YOU START

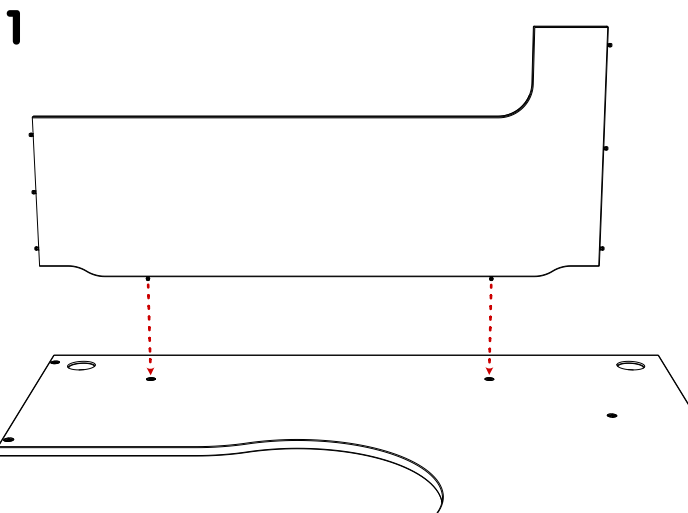
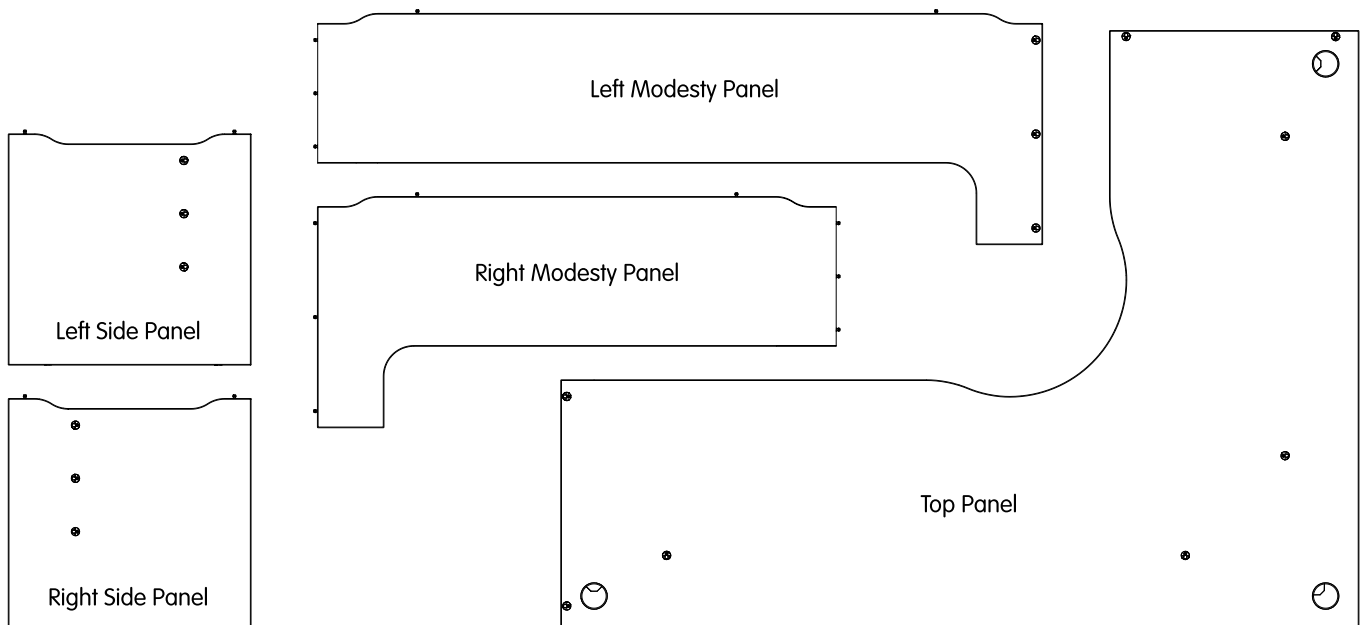
- Assembly takes about 10 minutes
- 2 people recommended for assembly
- Assemble on a flat, soft surface (e.g. carpet or rug). If assembling on a hard surface, place some cardboard underneath to avoid scratching the melamine panels.
- When assembling or disassembling panels, only use a hand screwdriver. Cordless screwdrivers with high torque can damage the cam screws.

TOOLS REQUIRED

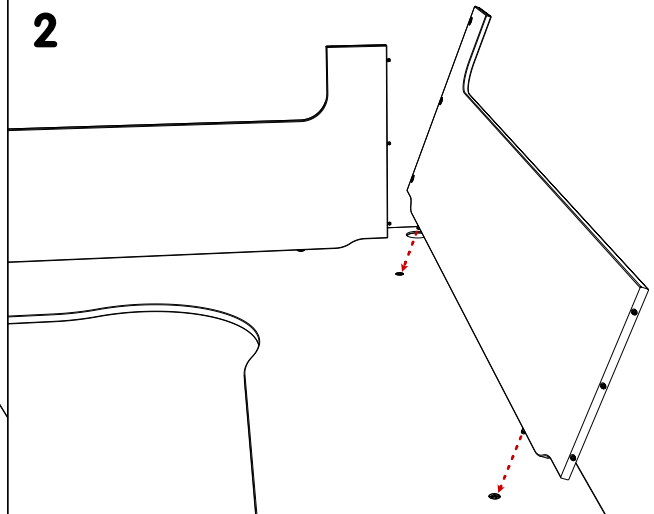
Phillips #2 Screwdriver



PARTS REFERENCE



Place the top panel down first and fit the right modesty panel.
Don't lock any cams yet.



Fit the left modesty panel into the top panel.
Hold it at an angle to avoid hitting the right modesty panel.

