


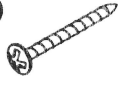


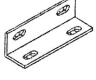
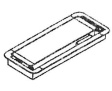




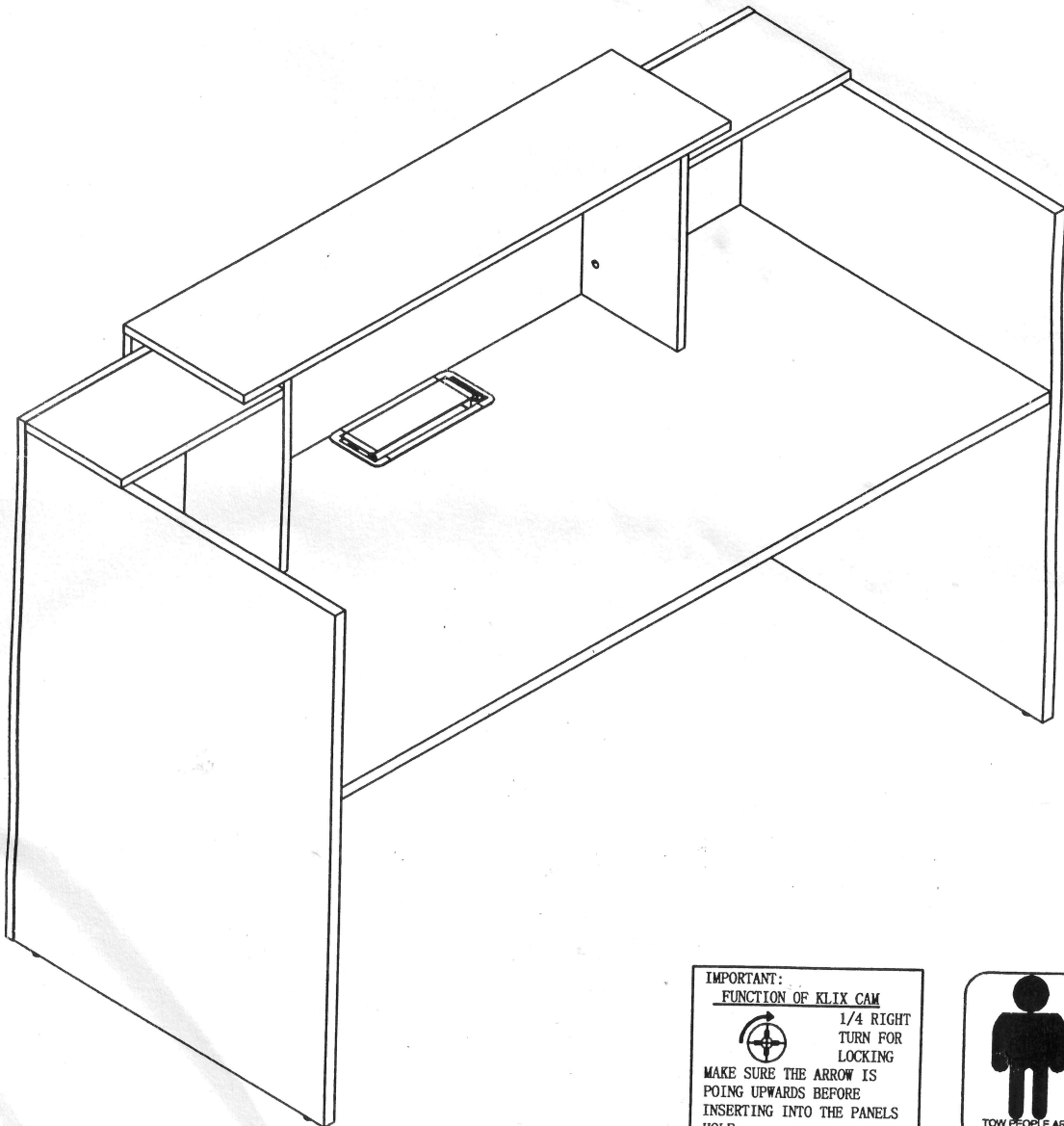



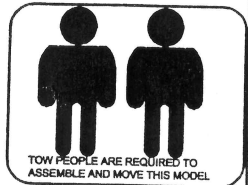
Assembly Instructions

QT-M603CSN/WH-18

A  Cam lock 25Pcs+1Pc(spare)	B  Klix Cam 25Pcs+1Pc(spare)	C  Cam Cover 25Pcs+1Pc(spare)	D  M4*30 16+1Pcs	F  Screw Ø6*16 24Pcs+1Pc(spare)	G  Screw Ø6*45 4Pcs	H  L-bracket 6Pcs	J  Grommet 1Pcs
K  Leveler 7Pcs	L  Screw M4*16 2Pcs	M  Screw Ø6*35 4Pcs	N  Ø4 1Pcs				



IMPORTANT:
FUNCTION OF KLIX CAM

 1/4 RIGHT
 TURN FOR
 LOCKING
 MAKE SURE THE ARROW IS
 POINTING UPWARDS BEFORE
 INSERTING INTO THE PANELS
 HOLE



IMPORTANT NOTE:

Place all laminated parts on a clean and smooth surface such as a rug or carpet to avoid the parts from being scratched.

Check to be sure that you have all parts and hardware.

Remove all wrapping materials, including staples & packing straps before you start to assemble.

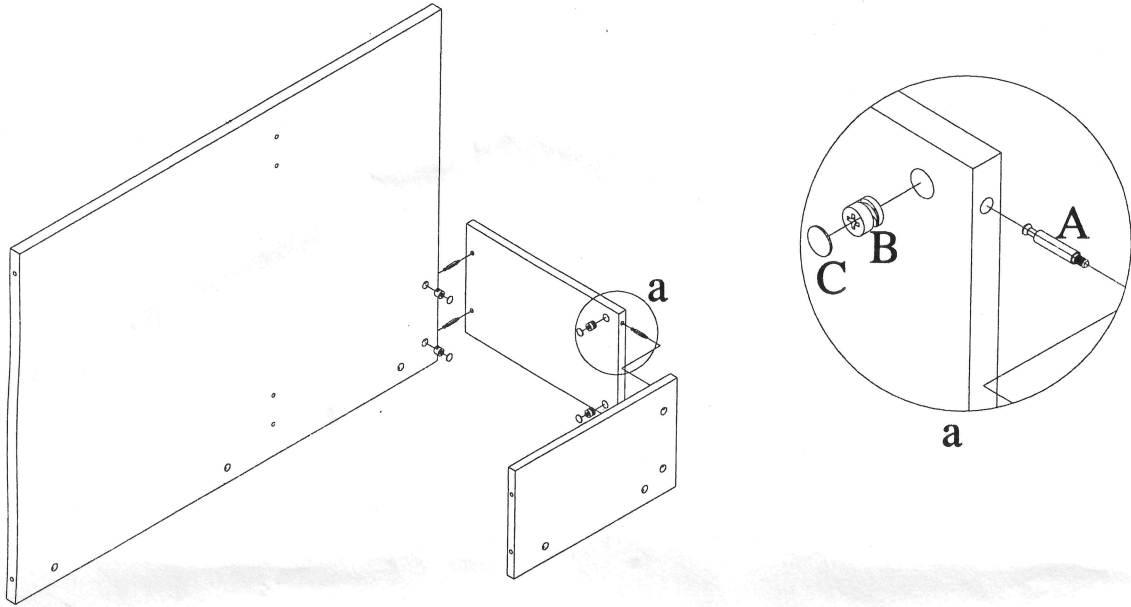
Don't tighten all screws/bolts until all completely assembled.

Keep all hardware parts out of reach of children

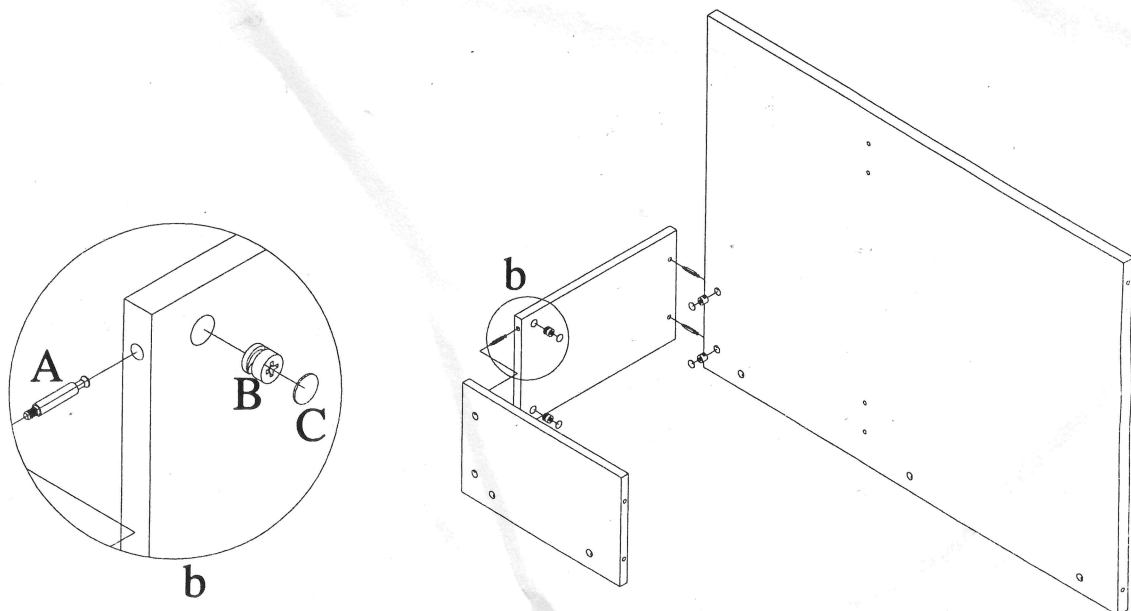
Assembly Instructions

QT-M603CSN/WH-18

STEP 1



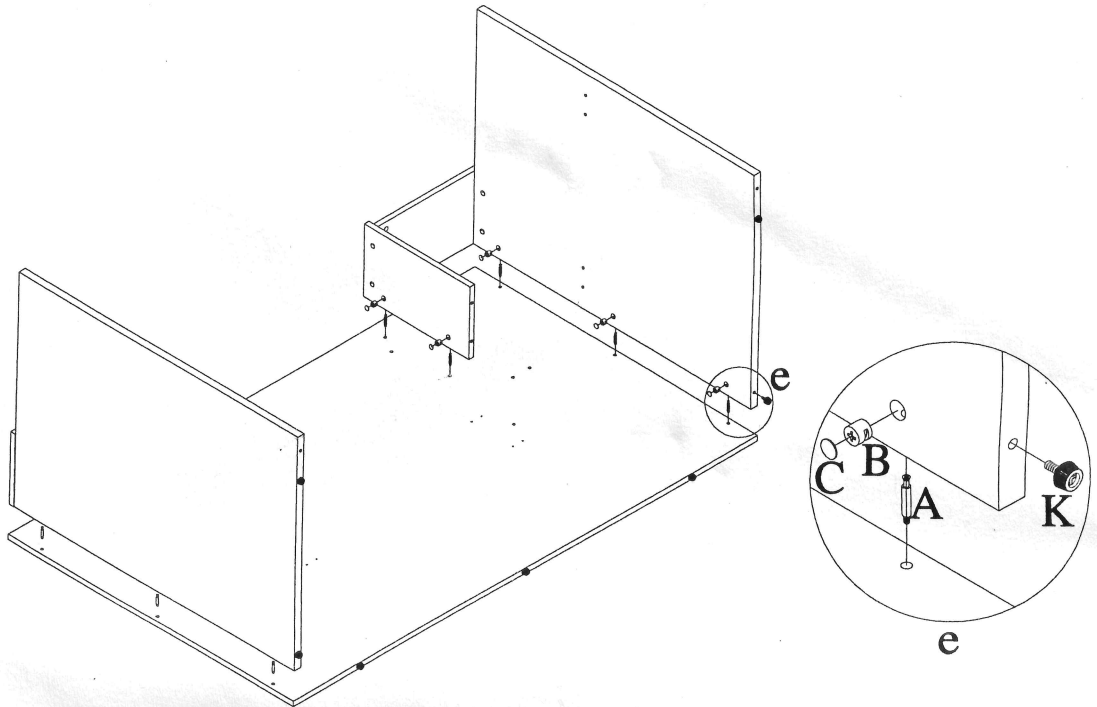
STEP 2



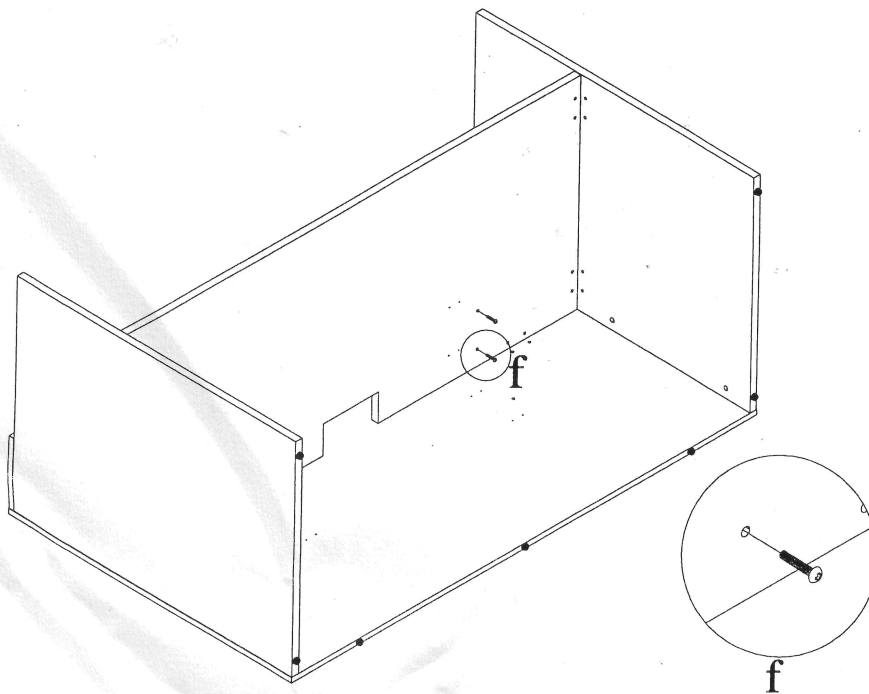
Assembly Instructions

QT-M603CSN/WH-18

STEP 3



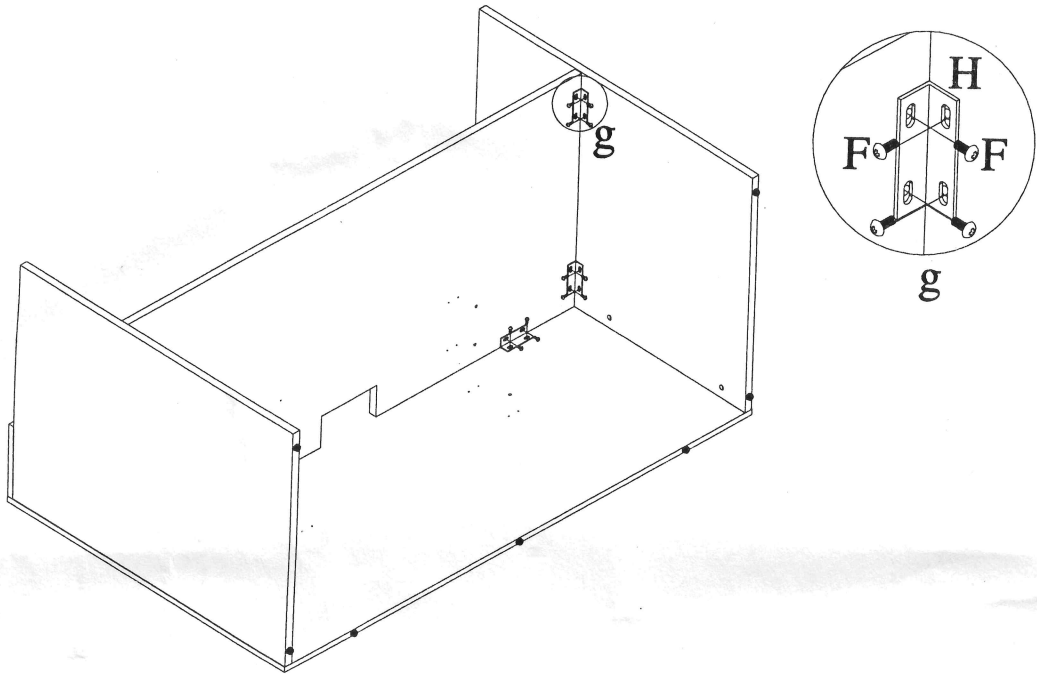
STEP 4



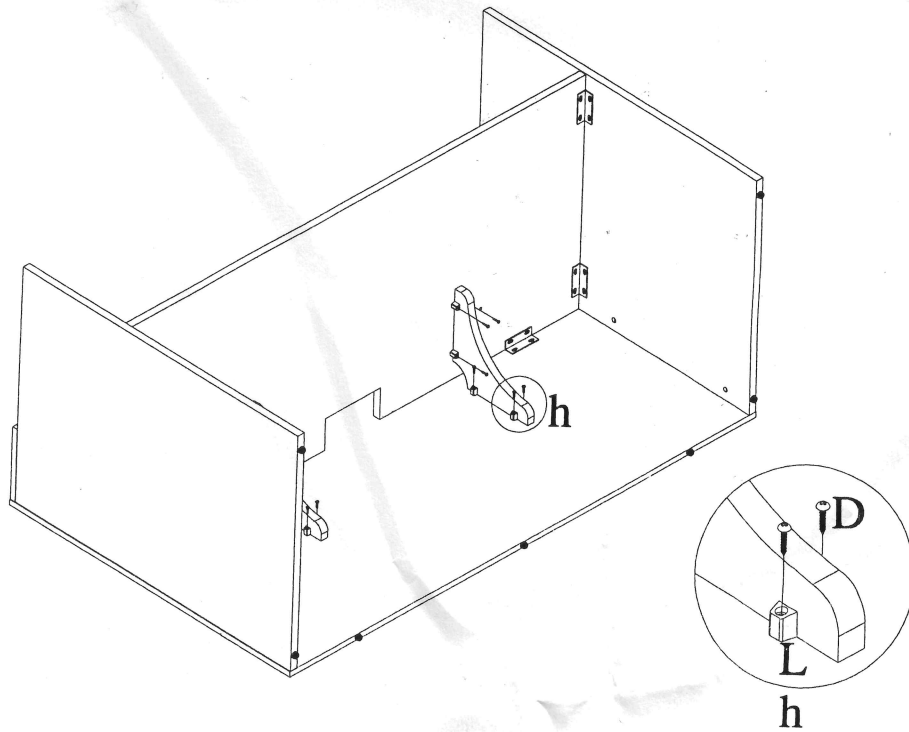
Assembly Instructions

QT-M603CSN/WH-18

STEP 5



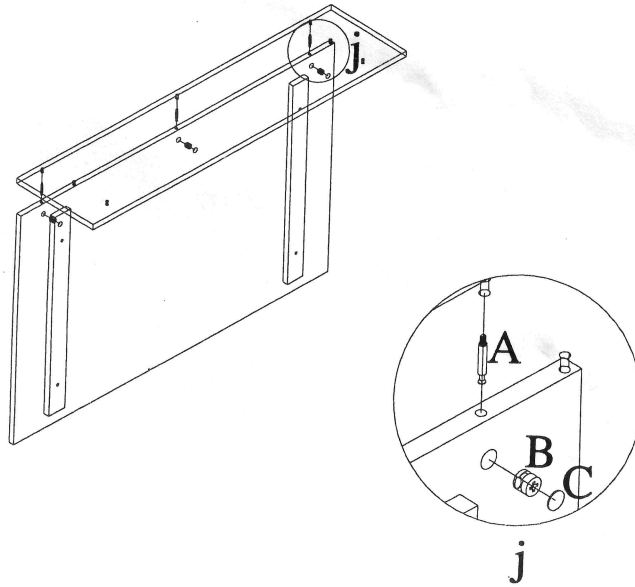
STEP 6



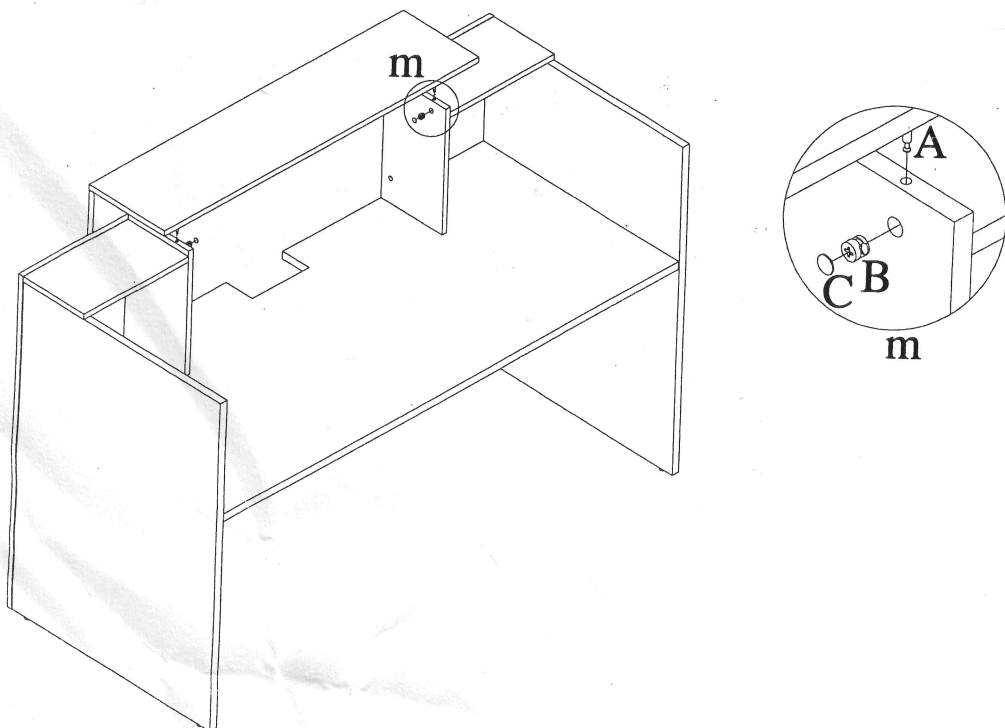
Assembly Instructions

QT-M603CSN/WH-18

STEP 7



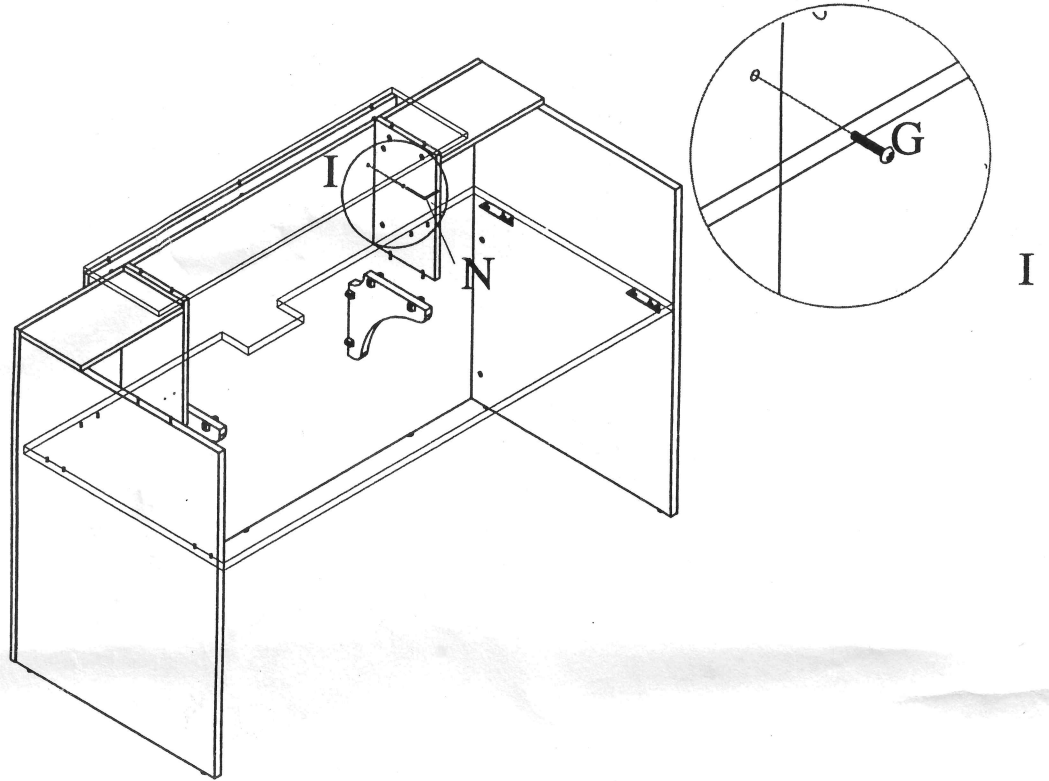
STEP 8



Assembly Instructions

QT-M603CSN/WH-18

STEP 9



STEP 10

